



KENYA ELECTRICITY GENERATING COMPANY PLC

RFx: 5000011856

KGN-GDD-013-2023

**TENDER FOR SUPPLY AND TESTING OF ASSORTED MOTORS FOR OLKARIA 1AU AND IV POWER PLANTS.**

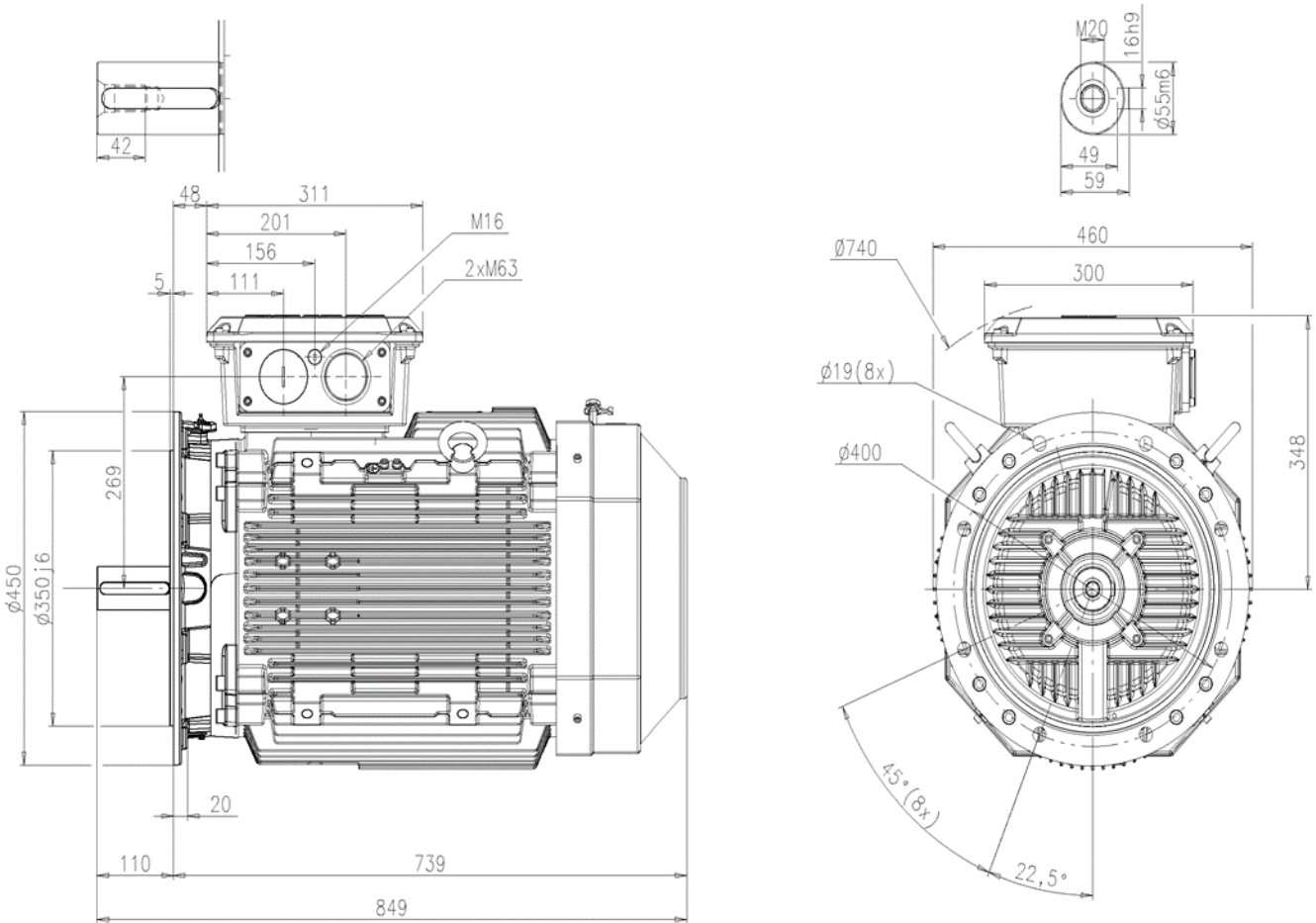
*(Citizen Contractors)*

Dated: 10<sup>th</sup> February, 2023

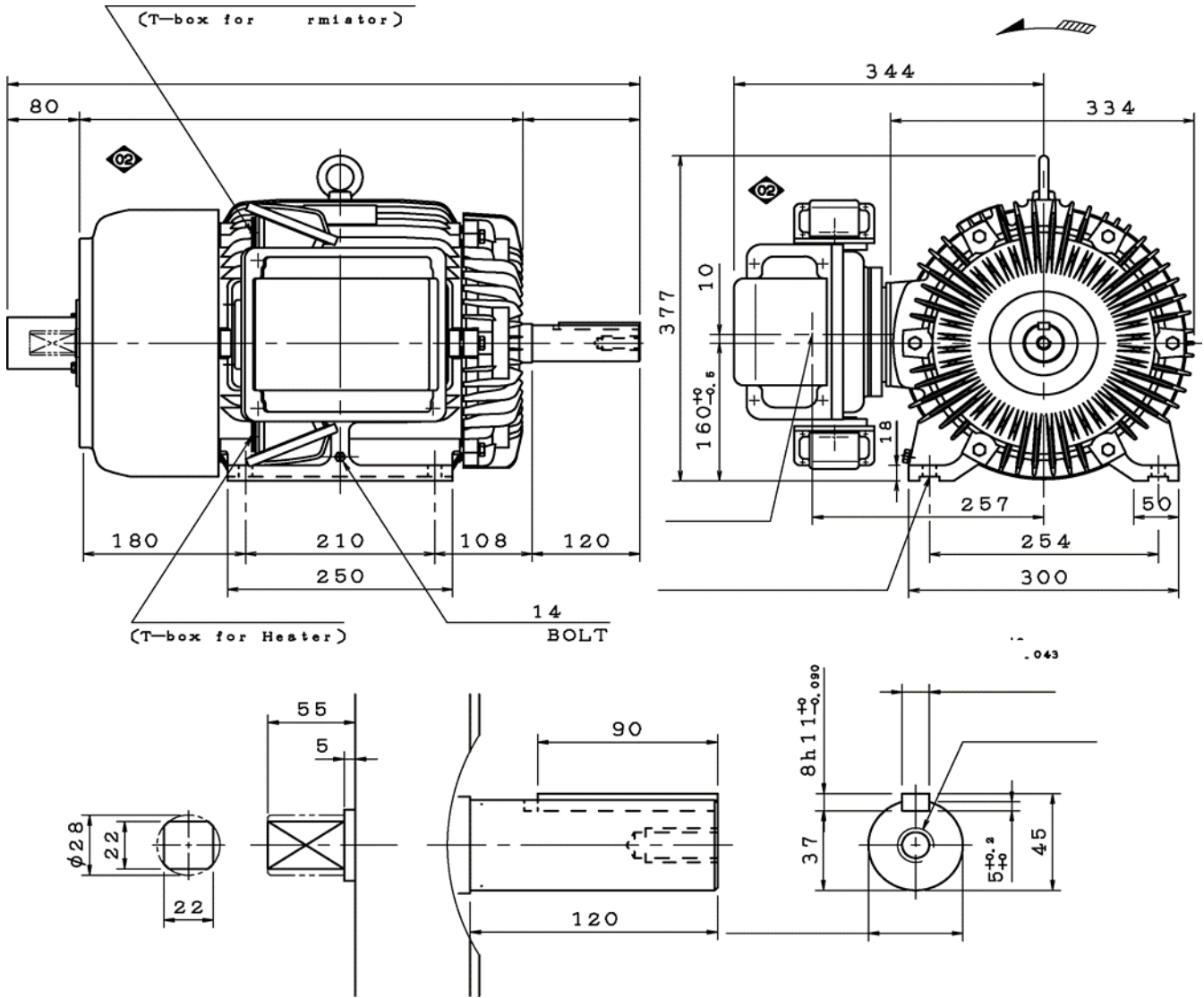
Addendum No.1.

In accordance with the **Tender for Supply and Testing of Assorted Motors for Olkaria 1au And IV Power Plants**, KenGen issues an Addendum No.1 as follows:

**APPENDIX 1 - Dimension Drawing for Main Oil Pump Motor**



# APPENDIX 2 – Dimension Drawing for Turning Gear Motor



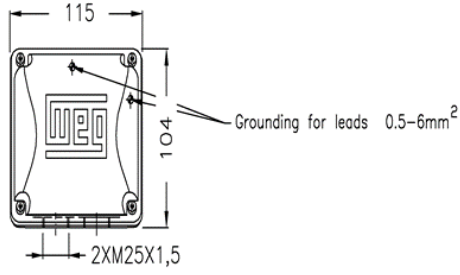
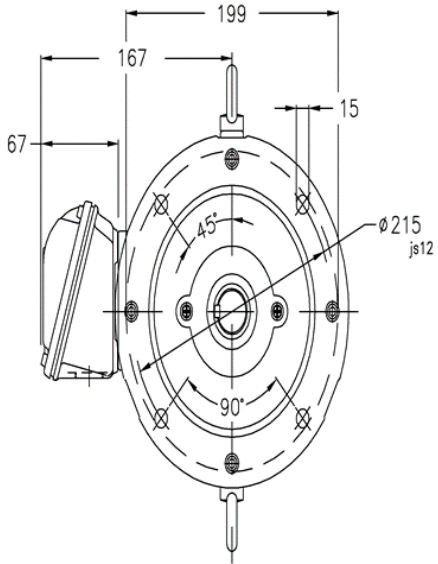
# APPENDIX 3 – Dimensional Drawing for Oil Vapor Extractor Motor

No reproduction of this drawing is allowed without written permission of WEG Motores

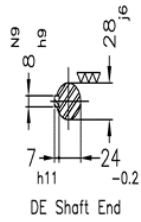
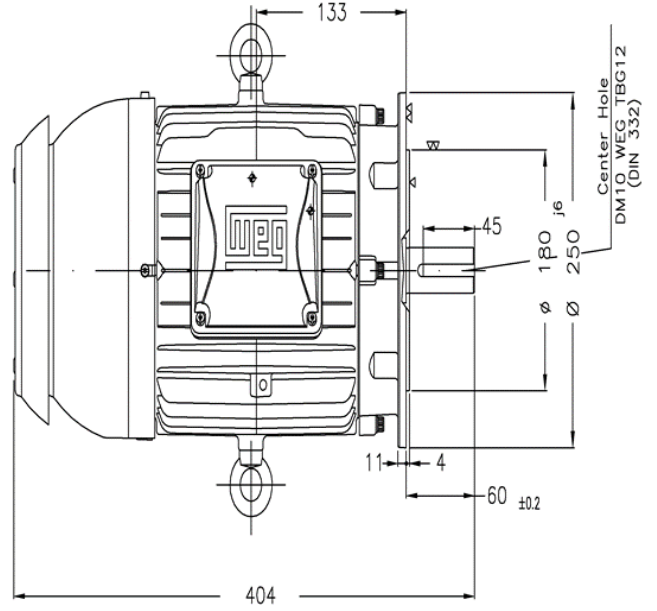
EIXO	
PADRÃO	X
OPCIONAL	
ESPECIAL	

Dimensões em mm  
Dimensions in mm

THIS IS AN UPDATED REVISION. THE PREVIOUS ONE MUST BE DISREGARDED.

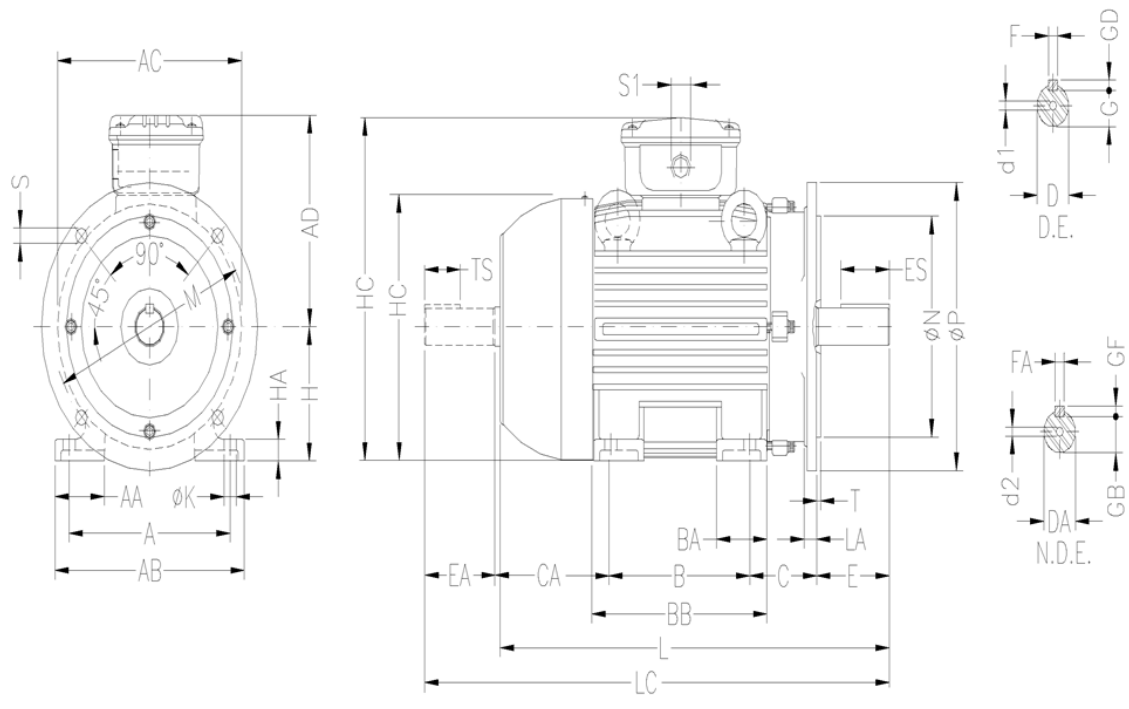


Main terminal box



Anel de fixação do rolamento / Bearing cap  
Parafusos em aço inox / Stainless steel fasteners

**APPENDIX 4 – Dimensional Drawing for EHC Oil Pump Motor**



A 279	AA 80	AB 350	AC 358	AD 275	Notes:	
B 279	BA 75	BB 332	C 121	CA 200		
D 48k6	E 110	ES 80	F 14	G 42.5	Performed by:	
GD 9	DA 48k6	EA 110	TS 80	FA 14	Checked:	
GB 42.5	GF 9	H 180	HA 28	HC 360	Customer:	
HD 455	K 14.5	L 702	LC 820	S1 2XM40X1,5	W21 - Cast Iron Frame - Premium Efficiency - IE3	
d1 DM16	d2 DM16	Flange FF-300	LA 18	M 300		
N 250	P 350	T 5	S 19	Angle 45°	Three-phase induction motor Frame 180L - IP55	08-FEB-2013
Holes 4						

**SUPPLIER ACKNOWLEDGEMENT OF ADDENDUM NO.1**

We, the undersigned hereby certify that the Addendum No.1 is an integral part of the document and the alterations set out in addendum has been incorporated in the Tender Proposal.

Signed.....

Tenderer.....

Date.....